

ANSI STANDARD RETENTION KNOBS



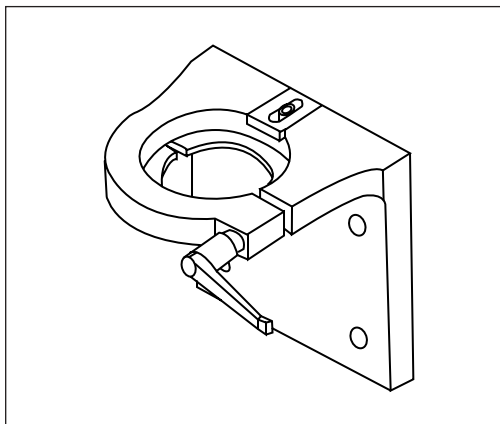
FOR MACHINES
WITHOUT COOLANT
THROUGH SPINDLES

FOR MACHINES
WITH COOLANT
THROUGH SPINDLES

Part No.	Taper Size	Thread
C30VR	CAT30	1/2 - 13
C40VR	CAT40	5/8 - 11
C45VR	CAT45	3/4 - 10
C50VR	CAT50	1" - 8
C30VRC	CAT30	1/2 - 13
C40VRC	CAT40	5/8 - 11
C45VRC	CAT45	3/4 - 10
C50VRC	CAT50	1" - 8

NOTE: Retention knobs for most machines available upon request.

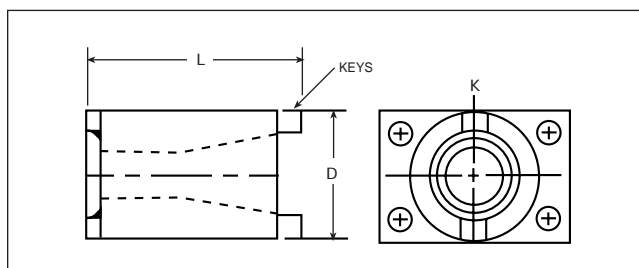
LOCKING TIGHTENING FIXTURES FOR CAT (V-Flange) TOOLHOLDERS



- For use in any position
- Access tool or retention knob
- Bolt down or use in vise

Part No.	Shank Size
C40LTF	CAT40
C50LTF	CAT50

LOCKING FIXTURE FOR ALL TAPERS



- Fit CAT (V-Flange), BT & NMTB tapers
- Bolt down or use in vise

Part No.	Shank	L	D	K
C30TF	30	3.91	3.00	0.62
C40TF	40	4.65	3.00	0.62
C45TF	45	4.90	3.50	0.75
C50TF	50	6.35	4.00	1.00