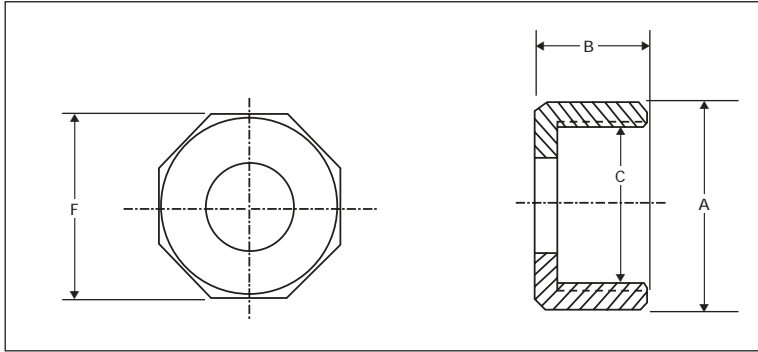
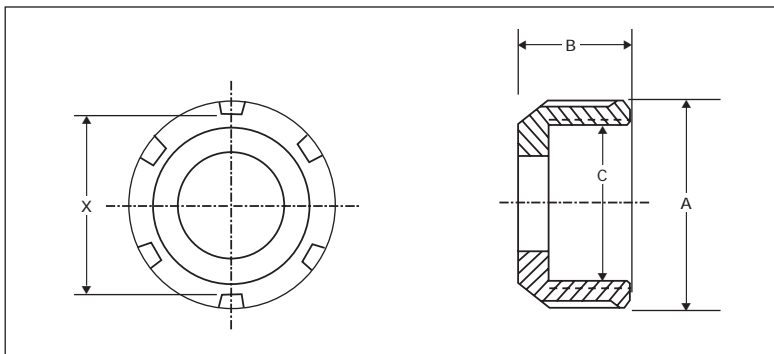


RDF/AF NUTS & WRENCHES



Part No.	Collet Type	A (in.)	B (in.)	C (Thread)	F (Flat)
C9400022	RDF 25	0.73	0.54	9/16-28	0.68
C9400002	RDF 38	1.06	0.62	13/16-12	0.99
C9400020	RDF 50	1.34	0.69	1-12	1.24



Part No.	Collet Type	A (in.)	B (in.)	C (Thread)	X (Spanner)	Wrench
C9400005	RDF 75	1.96	1.06	1-1/2-12	1.74	22132
C9400021	RDF 100	2.48	1.19	2-12	2.23	22140